

HORN FOR PROFESSIONAL DRIVERS



PH-2513

SPECIFICATIONS:

- MATERIAL: A.B.S. With glass filled black polycarbonate
- COLOR: BLACK
- NOMINAL COVERAGE ANGLE (H X V)-6dB: 90° x 65°
- CUT OFF FREQUENCY (HZ) 800
- THROAT DIAMETER MM : 25 MM (1")
- MOUNTING TYPE : SCREW-ON

MOUNTING DIMENSIONS:

- REAR HEIGHT MM : 110 mm (4.33")
- REAR WIDTH MM : 240 mm (9.44")

OVER DIMENSIONS:

- MOUTH HEIGHT MM : 132 mm (5.19")
- MOUTH WIDTH MM : 255 mm (10.03")
- LENGTH MM : 130 mm (5.11")
- MOUNTING FLANGE THICKNESS MM : 15 mm (0.59")
- MOUNTING HOLES DIAMETER MM : 5.8 mm (0.23")
- MOUNTING HOLES NUMBER : 4

BAFFLE CUT OUT MOUNTING:

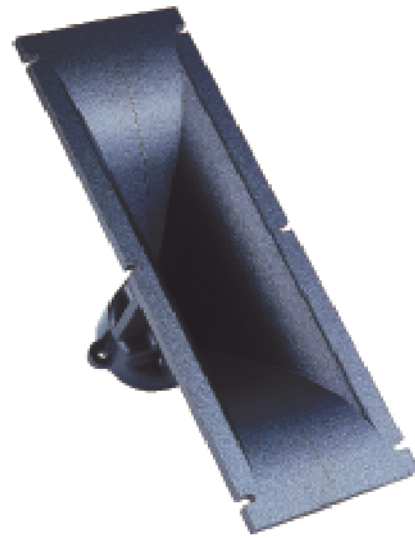
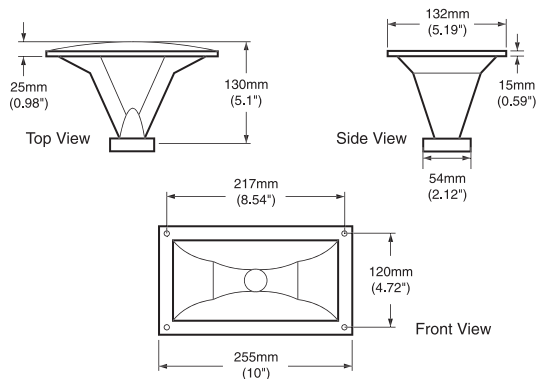
- HEIGHT MM : 102 mm (4")
- WIDTH MM : 230 mm (9.05")
- NET WEIGHT : 0.5 kg (1.1 lb)
- SHIPPING WEIGHT : 0.8 kg (1.76 lb)

PACKING CARTON DIMENSION:

- 290 mm x 160 mm x 155 mm
- 11.41" x 6.29" x 6.10"

HORN RECOMMENDED DRIVERS:

- PA-DE34S, WN-D34S, SN-D34S, SN-D44S, BM-D440S, PA-D26S



PH-3612

SPECIFICATIONS:

- MATERIAL: A.B.S. With glass filled black polycarbonate
- COLOR: BLACK
- NOMINAL COVERAGE ANGLE (H X V)-6dB: 90° x 40° CUT
- OFF FREQUENCY (HZ) 1000
- THROAT DIAMETER MM : 25 MM (1")
- MOUNTING TYPE : SCREW-ON

MOUNTING DIMENSIONS:

- REAR HEIGHT MM : 100 mm (3.93")
- REAR WIDTH MM : 316 mm (12.44")

OVER DIMENSIONS:

- MOUTH HEIGHT MM : 122 mm (4.8")
- MOUTH WIDTH MM : 362 mm (14.25")
- LENGTH MM : 39 mm (5.47")
- MOUNTING FLANGE THICKNESS MM : 8 mm (0.31")
- MOUNTING HOLES DIAMETER MM : 5.8 mm (0.23")
- MOUNTING HOLES NUMBER : 6

BAFFLE CUT OUT MOUNTING:

- HEIGHT MM : 102 mm (4")
- WIDTH MM : 320 mm (12.6")
- NET WEIGHT : 1 kg (2.2 lb)
- SHIPPING WEIGHT : 1.3 kg (2.86 lb)

PACKING CARTON DIMENSION:

- 390 mm x 155 mm x 165 mm
- 15.4" x 6.1" x 6.5"

HORN RECOMMENDED DRIVERS:

- PA-D38, PA-D26S, BM-D440S, BM-D450S

