

Model Number: P830657
Description: SDS 6.5" 8ohm Midwoofer

Revision: rev 1_0
Date: Sep 7 09

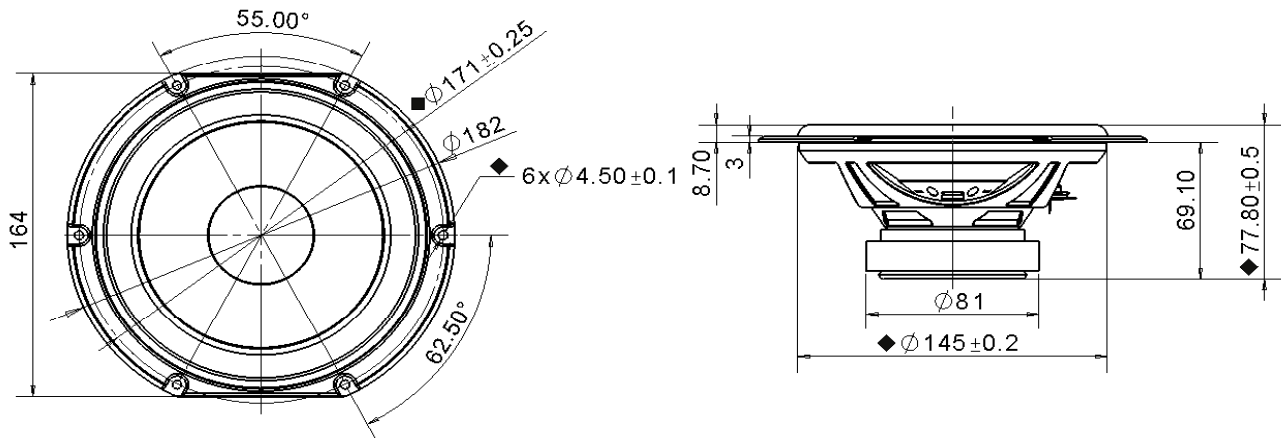


The Superior Dynamic Sounds (SDS) Series provides the smallest but highest-quality subwoofers in the industry today. Leveraging the best in Danish craftsmanship, but manufactured to be very affordable, these audio transducers are ideal for use in small surround sound systems, but can also be used in a wide variety of end user products and applications. The speakers in this line are combinable with subwoofers in the SLS line—for example, these two products work extremely well together in home theater solutions.

Driver Highlights: Coated paper, 26 mm coil



Mechanical 2D Drawing:



Specifications:

DC Resistance	R_{vc}	Ω	6.0	Energy Bandwidth Product	EBP	$(1/Q_{es}) \cdot f_s$	82
Minimum Impedance	Z_{min}	Ω	6.4	Moving Mass	M_{ms}	g	11.48
Voice Coil Inductance	L_e	mH	0.38	Suspension Compliance	C_{ms}	um/N	1101.4
Resonant Frequency	f_s	Hz	45	Effective Cone Diameter	D	cm	13.4
Mechanical Q Factor	Q_{ms}	-	2.7	Effective Piston Area	S_D	cm ²	141.0
Electrical Q Factor	Q_{es}	-	0.55	Equivalent Volume	V_{as}	L	30.77
Total Q Factor	Q_{ts}	-	0.46	Motor Force Factor	BL	T·m	5.98
Ratio f_s / Q_{es}	F	f_s / Q_{es}	99	Motor Efficiency Factor	β	$(T \cdot m^2) / \Omega$	5.91
Half Space Sensitivity @ 2.83V	dB@2.83V/1m	dB	89.5	Voice Coil Former Material	VC_{fm}	-	Aluminium
Rated Noise Power (IEC 2685 18.1)	P	W	60	Voice Coil Inner Diameter	VC_d	mm	25.7
Test Spectrum Bandwidth	40hz - 4khz	12 dB/Oct		Maximum Linear Excursion	X_{max}	mm	3.46
				Transducer Mass	-	kg	0.84

Frequency and Impedance Response:

