

# HORN FOR PROFESSIONAL DRIVERS



## PH-4427

### SPECIFICATIONS:

- MATERIAL: A.B.S. With glass filled black polycarbonate
- COLOR: BLACK
- NOMINAL COVERAGE ANGLE (H X V)-6dB: 60° x 40°
- CUT OFF FREQUENCY ( HZ ) 500
- THROAT DIAMETER MM: 25 MM (1")
- MOUNTING TYPE: BOLT-ON

### MOUNTING DIMENSIONS:

- REAR HEIGHT MM : 222 mm (8.74")
- REAR WIDTH MM : 382 mm (15.07")

### OVER DIMENSIONS:

- MOUTH HEIGHT MM : 270 mm (10.63")
- MOUTH WIDTH MM : 445 mm (17.5")
- LENGTH MM : 222 mm (8.74")

- MOUNTING FLANGE THICKNESS MM : 9.5 mm (0.375")
- MOUNTING HOLES DIAMETER MM : 6.5 mm (0.26")
- MOUNTING HOLES NUMBER : 12

### BAFFLE CUT OUT MOUNTING:

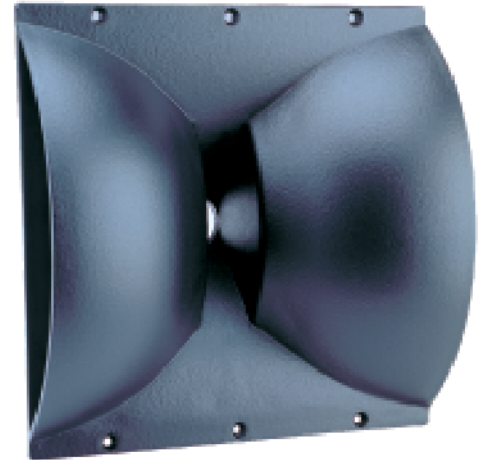
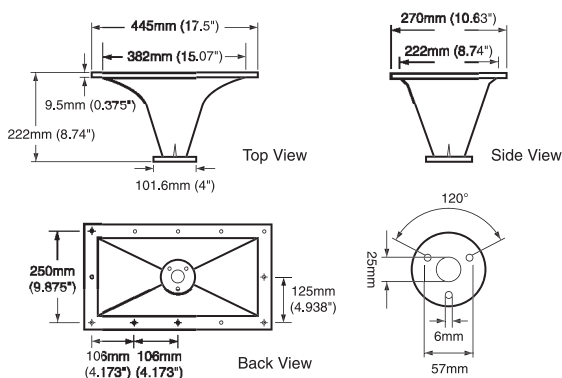
- HEIGHT MM : 227 mm (8.94")
- WIDTH MM : 387 mm (15.24")
- NET WEIGHT : 1.65 kg (3.63 lb)
- SHIPPING WEIGHT : 2.75 kg (6.05 lb)

### PACKING CARTON DIMENSION:

- 480 mm x 305 mm x 280 mm
- 19" x 12" x 11"

### HORN RECOMMENDED DRIVERS:

- PA-D34, PA-D44, PA-D45, BM-D440, BM-D450, SD-450N, SN-D44, WN-D44



## PH-316

### SPECIFICATIONS:

- MATERIAL: A.B.S. with glass filled black polycarbonate
- COLOR: BLACK
- NOMINAL COVERAGE ANGLE (H X V)-6dB: 100° x 100°
- CUT OFF FREQUENCY ( HZ ) 500
- THROAT DIAMETER MM: 38 MM (1.5")
- MOUNTING TYPE: BOLT-ON

### OVER DIMENSIONS:

- MOUTH HEIGHT MM : 316 mm (12.44")
- MOUTH WIDTH MM : 316 mm (12.44")
- LENGTH MM : 165 mm (5.24")

- MOUNTING FLANGE THICKNESS MM : 7.8 mm (0.3")
- MOUNTING HOLES DIAMETER MM : 6.35 mm (0.25")
- MOUNTING HOLES NUMBER : 6

### BAFFLE CUT OUT MOUNTING:

- HEIGHT MM : 280 mm (11.0")
- WIDTH MM : 290 mm (11.4")
- NET WEIGHT : 1.3 kg (2.86 lb)
- SHIPPING WEIGHT : 1.6 kg (3.52 lb)

### PACKING CARTON DIMENSION:

- 318 mm x 318 mm x 167 mm
- 12.5" x 12.5" x 6.5"

### HORN RECOMMENDED DRIVERS:

- SD-740N, BM-D740, WN-D63

