

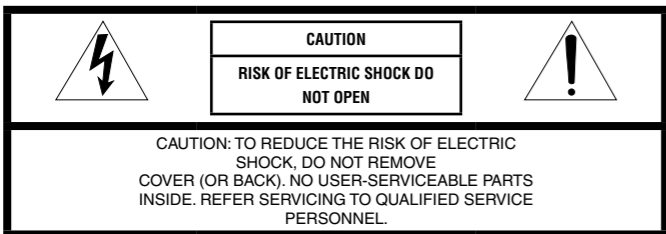


Portable Player Dock

# PDX-30 OWNER'S MANUAL

English

## IMPORTANT SAFETY INSTRUCTIONS



### • Explanation of Graphical Symbols



The lightning flash with arrowhead symbol, within an equilateral triangle, is intended to alert you to the presence of uninsulated "dangerous voltage" within the product's enclosure that may be of sufficient magnitude to constitute a risk of electric shock to persons.



The exclamation point within an equilateral triangle is intended to alert you to the presence of important operating and maintenance (servicing) instructions in the literature accompanying the appliance.

### IMPORTANT

Please record the serial number of this unit in the space below.

MODEL:

Serial No.:

The serial number is located on the rear of the unit. Retain this Owner's Manual in a safe place for future reference.

- 1 Read these instructions.
- 2 Keep these instructions.
- 3 Heed all warnings.
- 4 Follow all instructions.
- 5 Do not use this apparatus near water.
- 6 Clean only with dry cloth.
- 7 Do not block any ventilation openings. Install in accordance with the manufacturer's instructions.
- 8 Do not install near any heat sources such as radiators, heat registers, stoves, or other apparatus (including amplifiers) that produce heat.
- 9 Do not defeat the safety purpose of the polarized or grounding-type plug. A polarized plug has two blades with one wider than the other. A grounding type plug has two blades and a third grounding prong. The wide blade or the third prong are provided for your safety. If the provided plug does not fit into your outlet, consult an electrician for replacement of the obsolete outlet.
- 10 Protect the power cord from being walked on or pinched particularly at plugs, convenience receptacles, and the point where they exit from the apparatus.
- 11 Only use attachments/accessories specified by the manufacturer.
- 12 Use only with the cart, stand, tripod, bracket, or table specified by the manufacturer, or sold with the apparatus. When a cart is used, use caution when moving the cart/apparatus combination to avoid injury from tip-over.
- 13 Unplug this apparatus during lightning storms or when unused for long periods of time.
- 14 Refer all servicing to qualified service personnel. Servicing is required when the apparatus has been damaged in any way, such as power-supply cord or plug is damaged, liquid has been spilled or objects have fallen into the apparatus, the apparatus has been exposed to rain or moisture, does not operate normally, or has been dropped.



### We Want You Listening For A Lifetime

Yamaha and the Electronic Industries Association's Consumer Electronics Group want you to get the most out of your equipment by playing it at a safe level. One that lets the sound come through loud and clear without annoying blaring or distortion - and, most importantly, without affecting your sensitive hearing. Since hearing damage from loud sounds is often undetectable until it is too late, Yamaha and the Electronic Industries Association's Consumer Electronics Group recommend you to avoid prolonged exposure from excessive volume levels. Operate this unit by the following procedure.



### FCC INFORMATION (for US customers)

- 1 **IMPORTANT NOTICE : DO NOT MODIFY THIS UNIT!**  
This product, when installed as indicated in the instructions contained in this manual, meets FCC requirements. Modifications not expressly approved by Yamaha may void your authority, granted by the FCC, to use the product.
- 2 **IMPORTANT :** When connecting this product to accessories and/or another product use only high quality shielded cables. Cable/s supplied with this product MUST be used. Follow all installation instructions. Failure to follow instructions could void your FCC authorization to use this product in the USA.
- 3 **NOTE :** This product has been tested and found to comply with the requirements listed in FCC Regulations, Part 15 for Class "B" digital devices. Compliance with these requirements provides a reasonable level of assurance that your use of this product in a residential environment will not result in harmful interference with other electronic devices.

This equipment generates/uses radio frequencies and, if not installed and used according to the instructions found in the users manual, may cause interference harmful to the operation of other electronic devices.

### NOTICE

This equipment has been tested and found to comply with the limits for a Class B digital device, pursuant to part 15 of the FCC Rules. These limits are designed to provide reasonable protection against harmful interference in a residential installation. This equipment generates, uses and can radiate radio frequency energy and, if not installed and used in accordance with the instructions, may cause harmful interference to radio communications. However, there is no guarantee that interference will not occur in a particular installation. If this equipment does cause harmful interference to radio or television reception, which can be determined by turning the equipment off and on, the user is encouraged to try to correct the interference by one or more of the following measures:  
 - Reorient or relocate the receiving antenna  
 - Increase the separation between the equipment and receiver.  
 - Connect the equipment into an outlet on a circuit different from that to which the receiver is connected.  
 - Consult the dealer or an experienced radio/TV technician for help.

### FCC WARNING

Change or modifications not expressly approved by the party responsible for compliance could void the user's authority to operate the equipment.

### FOR CANADIAN CUSTOMERS

This Class B digital apparatus complies with Canadian ICES-003.

## CAUTION: Read this before operating your unit.

To assure the finest performance, please read this manual carefully. Keep it in a safe place for future reference.

- 1 Install this unit in a well ventilated, cool, dry, clean place - away from direct sunlight, heat sources, vibration, dust, moisture, and/or cold. (Do not use/keep this unit in a car etc.)
- 2 Locate this unit away from other electrical appliances, motors, or transformers to avoid humming sounds.
- 3 Do not expose this unit to sudden temperature changes from cold to hot, and do not locate this unit in an environment with high humidity (i.e. a room with a humidifier) to prevent condensation inside this unit, which may cause an electrical shock, fire, damage to this unit, and/or personal injury.
- 4 Avoid installing this unit where foreign objects may fall onto this unit and/or this unit may be exposed to liquid dripping or splashing. On the top of this unit, do NOT place:
  - Other components, as they may cause damage and/or discoloration on the surface of this unit.
  - Burning objects (i.e. candles), as they may cause fire, damage to this unit, and/or personal injury.
  - Containers with liquid in them, as they may fall and liquid may cause electrical shock to the user and/or damage to this unit.
- 5 Do not cover this unit with a newspaper, tablecloth, curtain, etc. in order not to obstruct heat radiation. If the temperature inside this unit rises, it may cause fire, damage to this unit, and/or personal injury.
- 6 Do not operate this unit upside-down. They may overheat, possibly causing damage.
- 7 Do not use force on switches, knobs, and/or cords.
- 8 When disconnecting the power cable from the wall outlet, grasp the AC plug; do not pull the cord.
- 9 Do not clean this unit with chemical solvents; this might damage the finish. Use a clean, dry cloth.
- 10 Only the voltage specified on this unit must be used. Using this unit with a higher voltage than specified is dangerous and may cause fire, damage to this unit, and/or personal injury. Yamaha will not be held responsible for any damage resulting from use of this unit with a voltage other than that specified.
- 11 Do not attempt to modify or fix this unit. Contact qualified Yamaha service personnel when any service is needed. The cabinet should never be opened for any reason.
- 12 When not planning to use this unit for long periods of time (i.e. when going on vacation), disconnect the power cable from the AC wall outlet.
- 13 Be sure to read the "TROUBLESHOOTING" section regarding common operating errors before concluding that the unit is faulty.
- 14 Before moving this unit, disconnect the power cable from the wall outlet.
- 15 Be sure to use the AC adaptor supplied with this unit. Using an AC adaptor other than the one provided may cause fire or damage to this unit.
- 16 Install this unit near the wall outlet and where the power cable can be reached easily.
- 17 For added protection for this product during a lightning storm, or when it is left unattended and unused for long periods of time, unplug it from the wall outlet. This will prevent damage to the product due to lightning and power-line surges.
- 18 The batteries shall not be exposed to excessive heat such as sunshine, fire or the like.

There is a chance that placing this unit too close to a CRT-based (Braun tube) TV set might impair picture color. Should this happen, move this unit away from the TV set.

### WARNING

TO REDUCE THE RISK OF FIRE OR ELECTRIC SHOCK, DO NOT EXPOSE THIS UNIT TO RAIN OR MOISTURE.

Even if an iPhone or iPod is not connected to this unit, this unit is not disconnected from the AC power source as long as it is connected to the wall outlet. In this state, this unit is designed to consume a very small quantity of power.

### CAUTION

Danger of explosion if battery is incorrectly replaced. Replace only with the same or equivalent type.

## INTRODUCTION

PDX-30 is a portable player dock designed for iPhone or iPod series. The unit can be operated by the remote control. Also the iPhone or iPod set into the unit is automatically charged so you can enjoy playing music as long as you want.

Alphabetical letters below (a, b, etc.) can be used for reference to the illustrations on the separate sheet "Quick Manual" for details.

### ■ Supplied accessories

- Remote control (a)..... 1
- AC adaptor (DC 15V, 2.66A, model number: NU40-2150266-13) (b)..... 1
- Power cable (c)..... 1
- Owner's Manual (this manual)..... 1
- Quick Manual..... 1

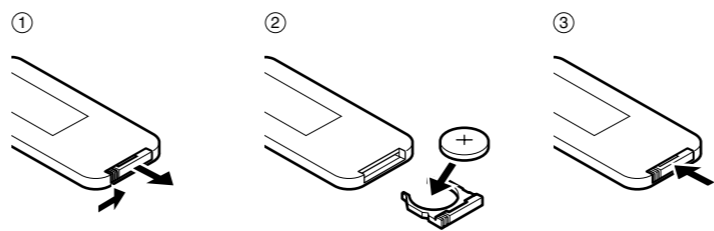
### ■ Copyright and logo marks

iPhone™, iPod™

"iPhone" and "iPod" are trademarks of Apple Inc., registered in the U.S. and other countries.



## REPLACING THE BATTERY IN THE REMOTE CONTROL



## CONTROLS AND FUNCTIONS

### Dock terminal [a]

Connects the iPhone or iPod series. When the iPhone or iPod is connected, its battery will be charged. When the iPhone or iPod is disconnected, the unit will be in standby mode. The iPhone or iPod can be connected (or disconnected) anytime.

### [b] / [c] (Volume keys) [d]

Adjusts the volume level.

### Status indicator (LED) [e]

Indicates the current status of the unit.

LED status	The current status of this unit
Off	The unit is in standby mode. An iPhone or iPod is not connected, or has stopped playing. (However, lights up for 30 seconds after connecting or stopping playback.)
Flashes green	Connecting, please wait.
Flashes green once	Adjusting the volume level with the volume keys on the unit or operating with the remote control.
Lights up green	The unit turns on. An iPhone or iPod is connected.
Lights up green and flashes red	Flashes red for 2 seconds: An unsupported iPod is connected. Keeps flashing red: Connection failed. (Connect again.)
Flashes red	The protection circuitry has been activated. (Disconnect the AC adaptor and wait for a while.)
Flashes red once	The volume of this unit is set to maximum or minimum.

### DC IN 15V jack [f]

Connect the AC adaptor to this jack to supply power. When the AC adaptor is connected, the unit will be in standby mode, consuming a small quantity of electricity. When an iPhone or iPod is connected to the unit in standby mode, the unit turns on. When the iPhone or iPod is disconnected, the unit returns to standby mode.

## TROUBLESHOOTING

Refer to the table below if the unit does not function properly. If the problem you are experiencing is not listed below, or if the instruction below does not help, turn off this unit, disconnect the power cable, and contact the nearest authorized Yamaha dealer or service center.

Problem	Cause	Remedy
<b>No sound</b>	The iPhone or iPod is not connected firmly.	Connect the iPhone or iPod firmly.
	The iPhone or iPod software version has not been updated.	Download the latest iTunes software to update the iPhone or iPod firmware version to the latest.
	The power of the unit is off.	Connect the AC adaptor correctly.
	The volume is turned down.	Turn up the volume.
	The protection circuitry has been activated by excessive volume.	Turn down the volume.
<b>Cannot change the volume of this unit by changing the volume of the iPhone or iPod.</b>	The iPhone or iPod being used is not supported by this unit, or the iPhone or iPod is not connected firmly.	Use the supported iPhone or iPod. Connect the iPhone or iPod firmly.
<b>The iPhone or iPod display does not change by pressing the remote control volume keys.</b>		
<b>The unit cannot be operated by the remote control.</b>		

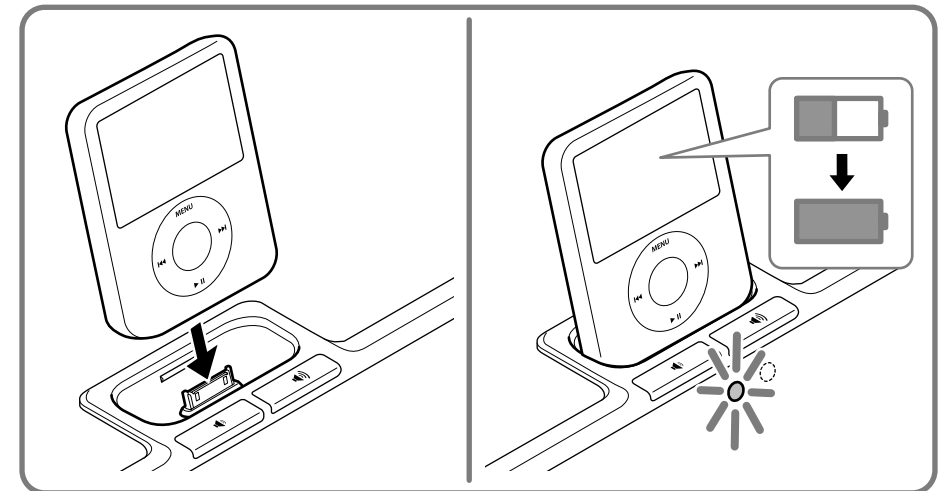
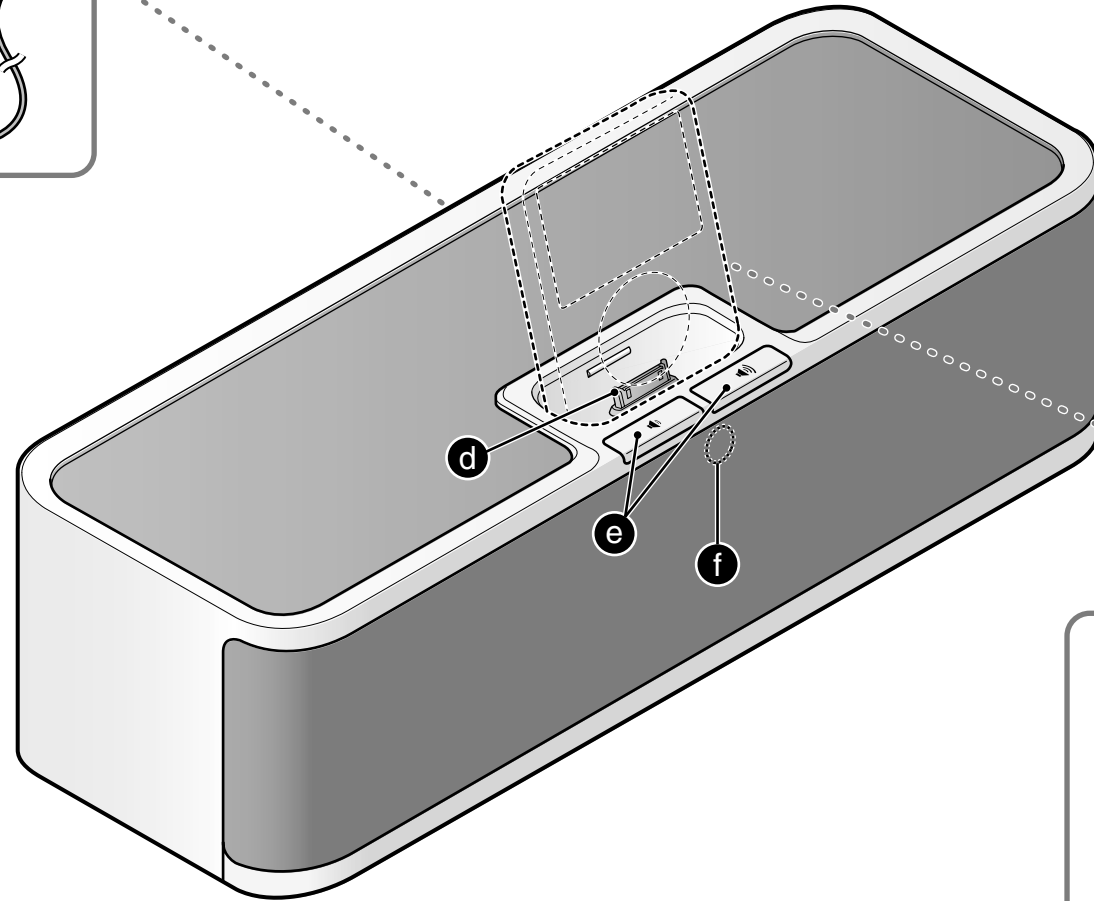
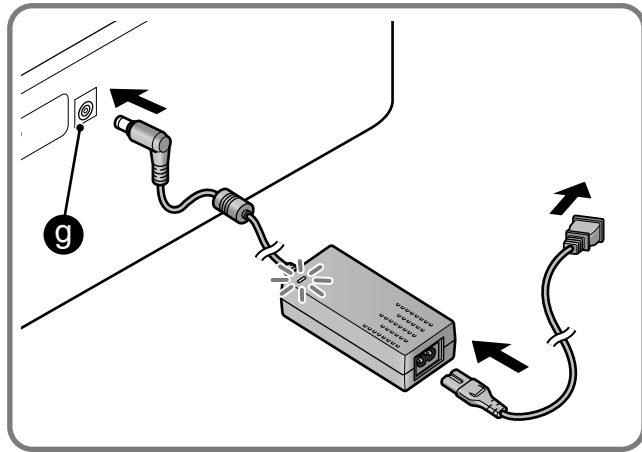
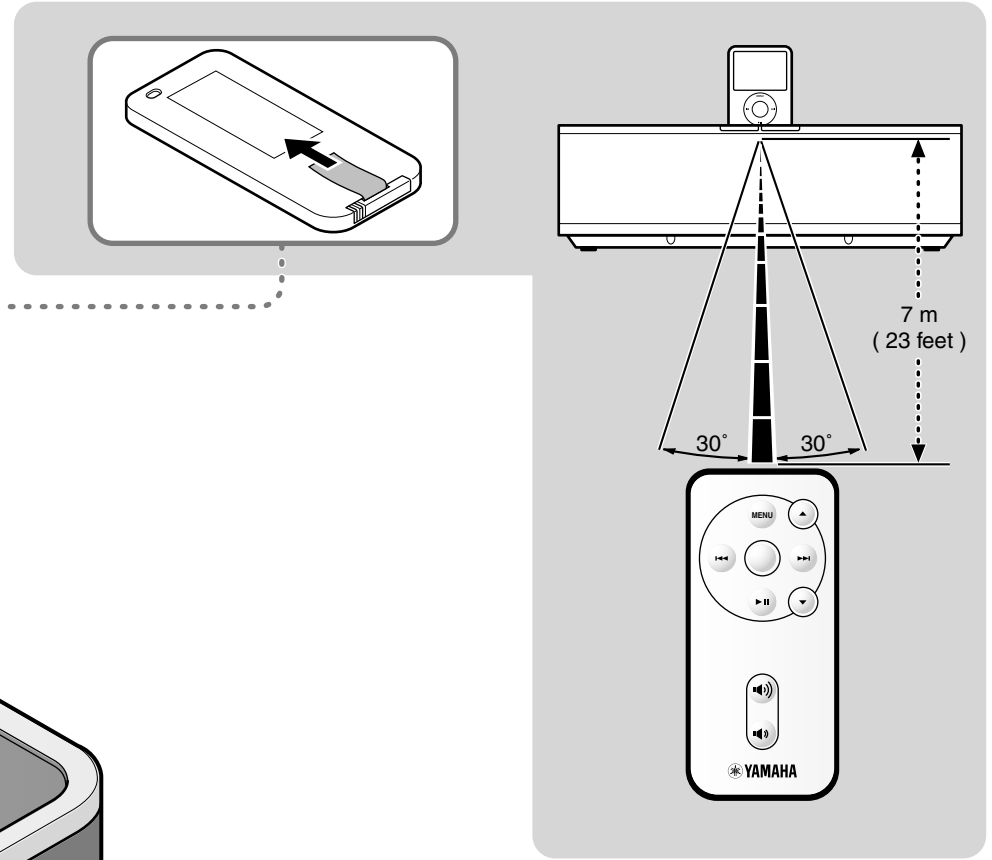
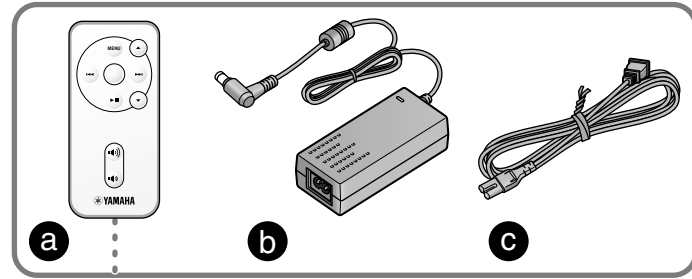
## SPECIFICATIONS

Supported iPod.....	iPod (5th generation), iPod classic, iPod nano, iPod touch
Supported iPhone.....	iPhone, iPhone 3G
Maximum RMS output power per channel (6 Ω 1 kHz, 10% THD).....	15 W + 15 W
Power Supply	
U.S.A. and Canada models.....	AC 120 V, 60 Hz
Other models.....	AC 100 to 240 V, 50/60 Hz
Power Consumption.....	10 W
Power Consumption without connecting iPod/iPhone.....	less than 1 W
Dimensions (W x D x H).....	350 x 125 x 109 mm (13-12/16" x 4-15/16" x 4-5/16")
Weight (without accessories).....	1.7 kg (3.7 lbs)

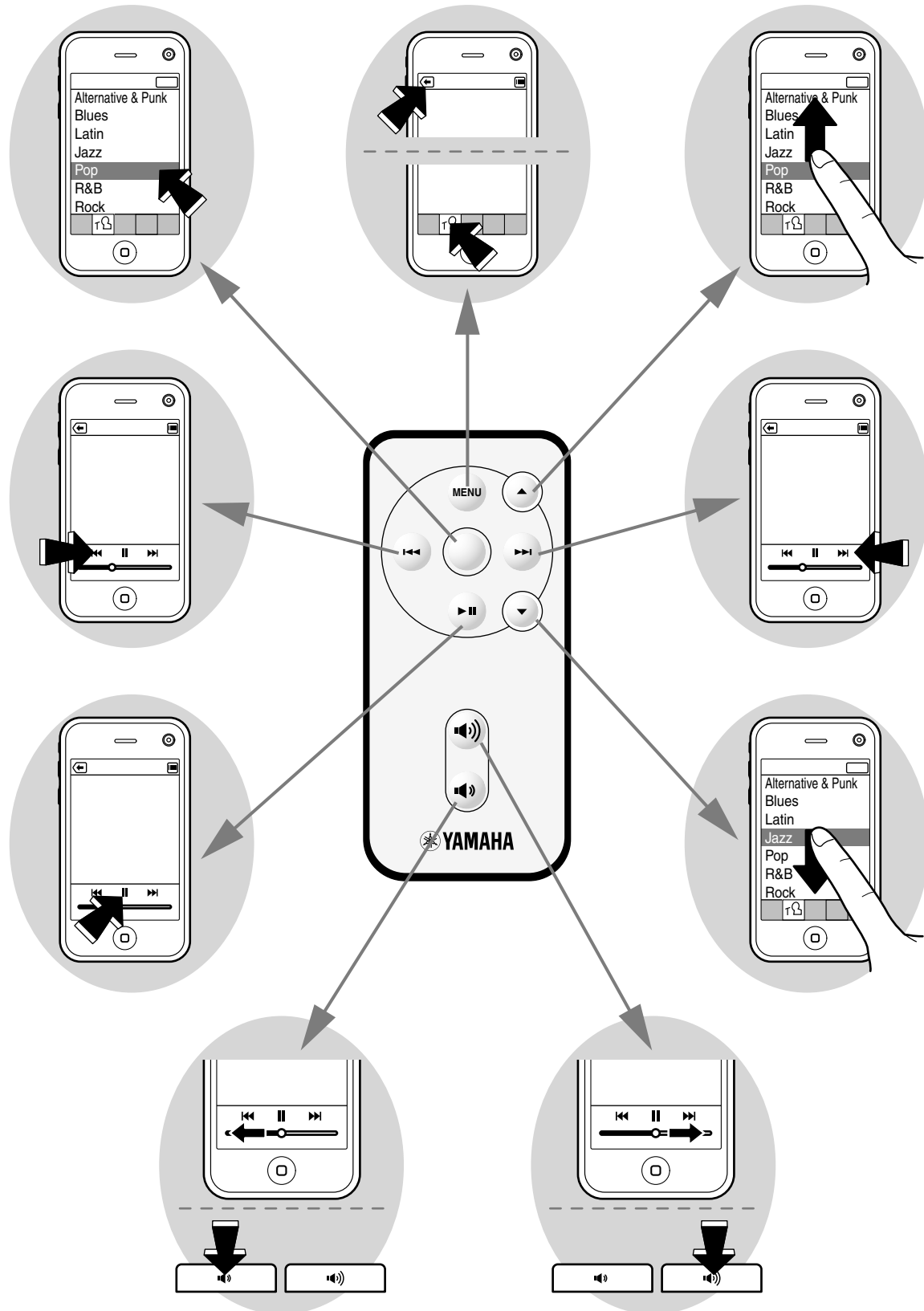
iPod (4th generation or before), iPod without Dock connector, iPod photo or iPod mini are not supported by this unit.

\*Specifications are subject to change without notice.

# YAMAHA PDX-30



# iPhone & iPod touch



# iPod

